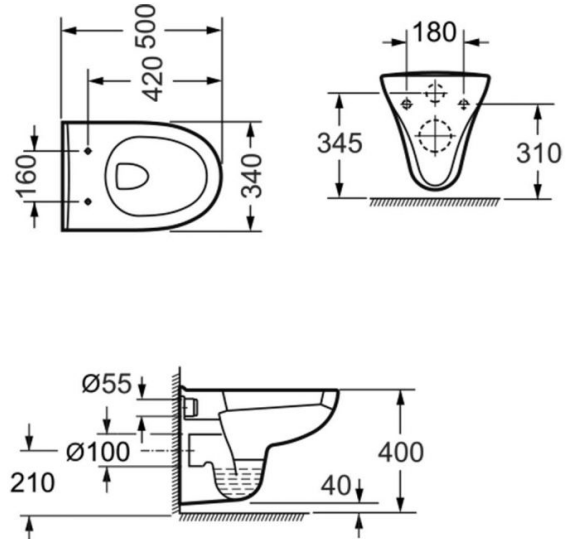


# Tampa sanitary ware

**Ref. 4554**

500x360x340



## Features

Wall-hung toilet  
17,5 kg.