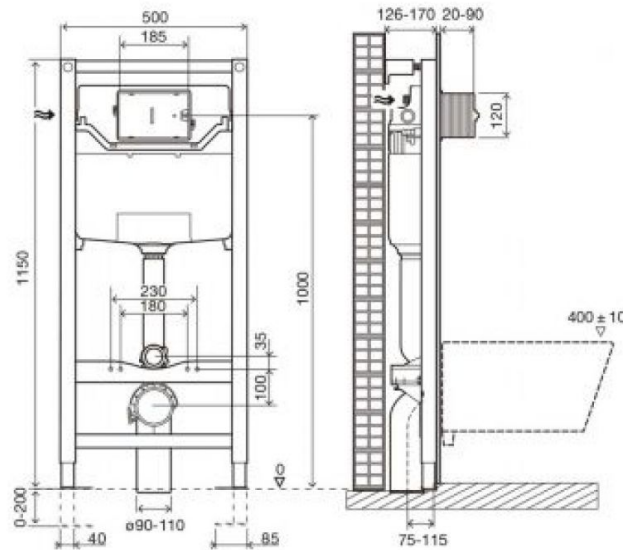


Tank mechanism with push button

Ref. 4500/MW2BL

500x1150x170 mm.



Features

Mechanism wall-hung toilet tank with chrome finish push button.

Dimensions: 500x1150x170 mm.

Net weight: 11 kg.

Grossweight: 12 kg.

Push button : 230x150x65 mm.

Push button packaging size:

270x190x57 mm.

Push button weight: 0.36 kg.

Available colors:

