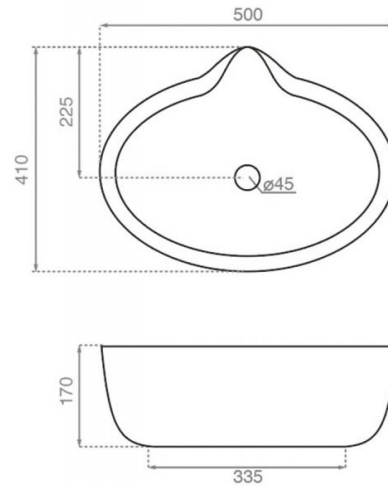


Titanic 2nd class golden edge

Ref. 4074/23

500x410x170 mm.



Features

Porcelain washbasin
White porcelain.
Dimensions: 500x410x170 mm
Net weight:
Gross weight:
Units per pallet:

