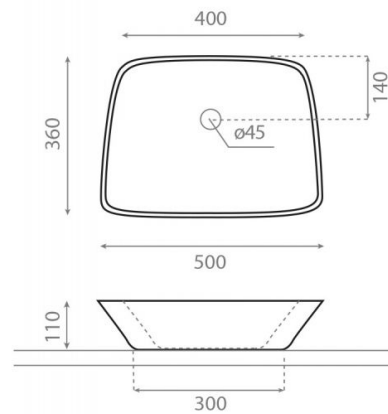


Anabel

Ref. 0091

500x360x110 mm



Features

No wall-mounting possibility.
With overflow.
Net weight 7kg, gross weight 8kg.
Units per pallet: 68.

