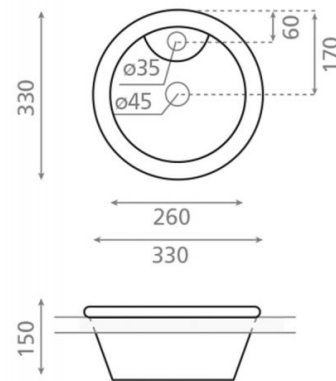


# Dublin

**Ref. 0067**

330x150 mm



## Features

- No wall-mounting possibility.
- With overflow.
- Glazed both sides.
- Net weight 6kg, gross weight 7kg.
- Units per pallet: 72.

