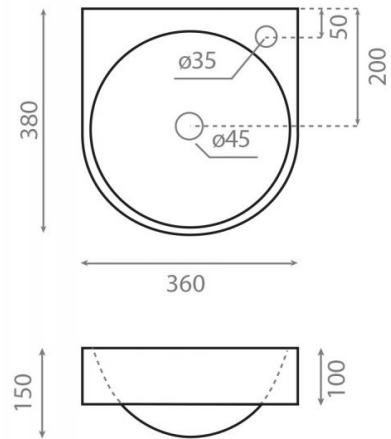


Dalia

Ref. 0087

360x380x150 mm



Features

Wall-mounting possibility. Without overflow. Net weight 7kg, gross weight 8kg. Units per pallet: 72.

