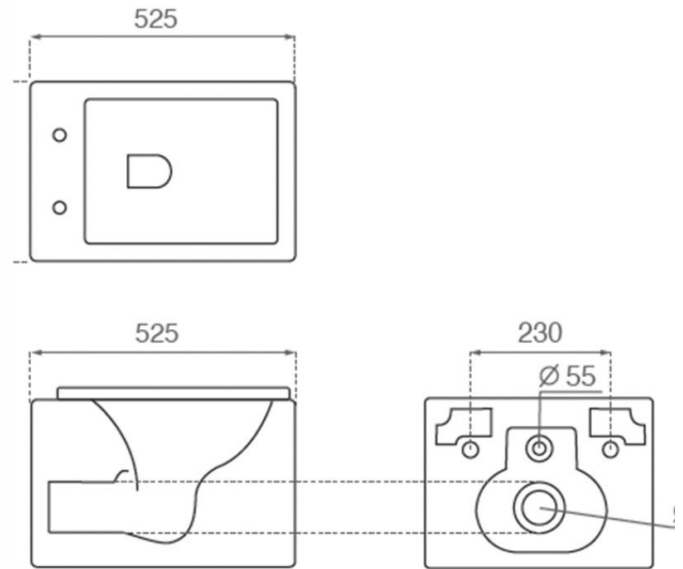


# Orinoco

**Ref. 4535/UF**

525x385x353 mm.



## Features

- Wall - hung WC
- Removable thermoset cover
- Soft close
- Weight 31kg | Units per palet 16

