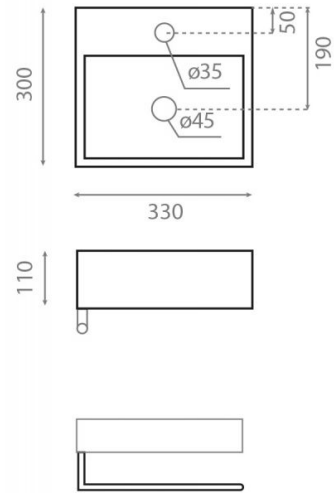


# Bermeo

## Ref. 4901

330x300x110 mm



### Features

Wall-mounting possibility. Without overflow. Towel rail fixing possibility on both sides. Net weight 7kg, gross weight 8kg. Units per pallet: 114. Units per pallet 114

