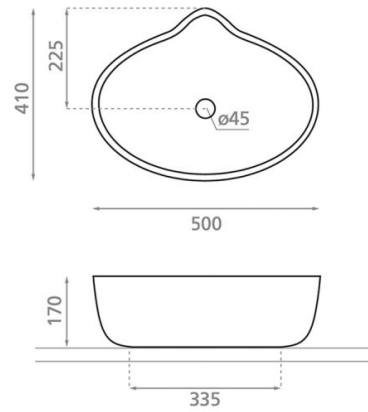


Titanic 2nd class

Ref. 4074
500x410x170



Features

Porcelain washbasin
White porcelain.
Net weight:
Gross weight:
Units per pallet:

Available colors:

