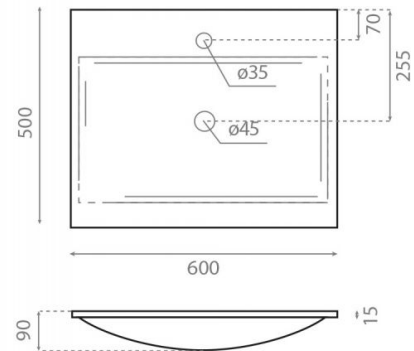


Mónaco

Ref. 0507

600x500x90 mm



Features

No wall-mounting possibility.
Without overflow.
Valid for re. 00109 support.
Net weight 9kg, gross weight 10kg.
Units per pallet: 22.

