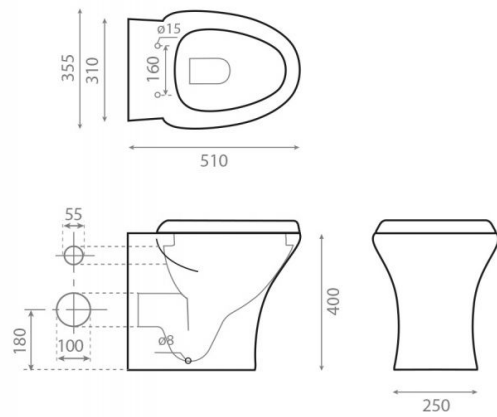


Ibiza

Ref. 4502

510x355x400 mm



Features

WC pan horizontal with fixing kit.
Antibacterial.
It does not include wall tank.
Removable seat and cover.
Soft close system.
Net weight 22kg, gross weight 23kg.
Units per pallet: 16.

