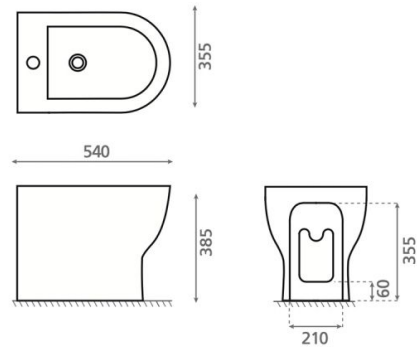


# Sidney

## Ref. 4558

540x355x385 mm.



### Features

Weight 22 kg  
Units per palet 16

Packaging: 530x370x470 mm.  
Packaging weight: 24 kg.

