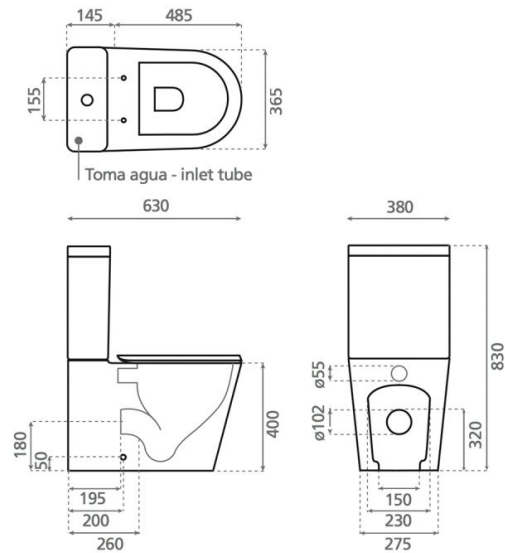


# Antequera

**Ref. 4557**

630x380x830 mm



## Features

Net weight: 47 kg

Gross weight: 50 kg

Packaging: 780x415x445 mm.

