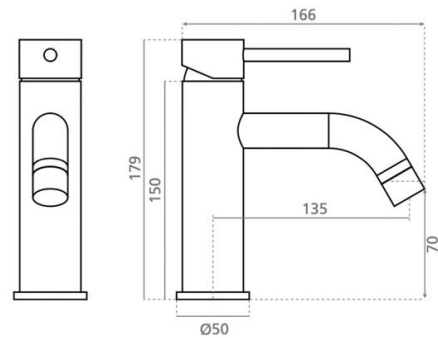


# Tasos basin mixer

**Ref. 18095**

180x50mm.



## Features

Packaging: 31x19x7 cm.

