

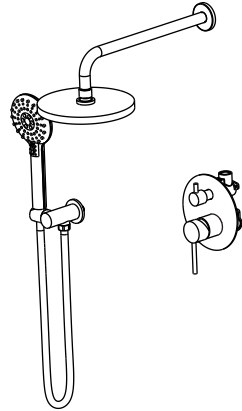
## Wall-mounted shower mixer

# bathco

info@bathcogroup.com

## Tasos

Ref. 18099



### INSTALLATION INSTRUCTIONS

Before proceeding with installation, please read these instructions carefully to familiarise yourself with the required tools, materials and installation steps. Please leave these instructions for the consumer after installation.

Prior to installation, inspect the shower mixer to ensure that no damage has occurred in transit. If damage has occurred, or a visible defect exists, do not proceed with installation, and advise your supplier immediately.

### Tools and material required



Allen key



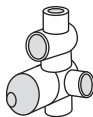
Shower arm  
+ Rain shower



Diverter handle  
+ Handle + Face plate



Shower hose + Hand shower  
Shower holder with connector



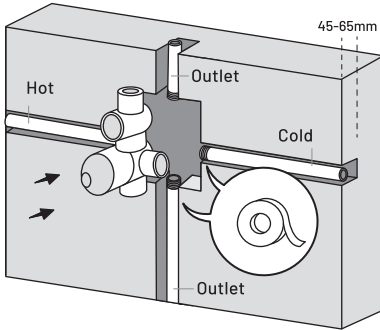
Faucet concealed  
body



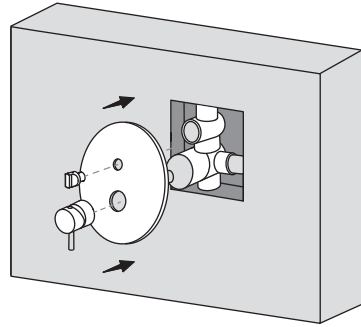
Screw set  
(not included)

## Installation

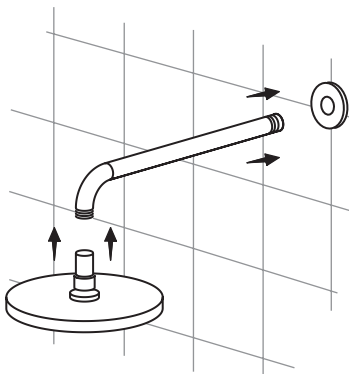
- 1 Before installation, please dig a proper Wall position with depth 46-55 mm., and flush the inside and outside dirt. Fix the concealed body, then fasten the screws. Turn on the valves to check if any leakage.



- 2 Take off the protective sleeve from faucet concealed body, fix the face plate to the body. Then, fasten the diverter handle and handle to the body.



- 3 Fix the shower arm to wall, and the rain shower to the shower arm. Then fix the shower holder with connector to the wall.



- 4 Fix the shower hose and hand shower to the shower holder.

