

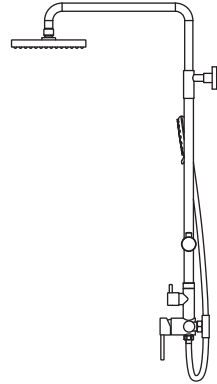
## Shower column

# bathco

info@bathcogroup.com

# Tasos

## Ref. 18100



### INSTALLATION INSTRUCTIONS

Before proceeding with installation, please read these instructions carefully to familiarise yourself with the required tools, materials and installation steps. Please leave these instructions for the consumer after installation.

Prior to installation, inspect the shower column to ensure that no damage has occurred in transit. If damage has occurred, or a visible defect exists, do not proceed with installation, and advise your supplier immediately.

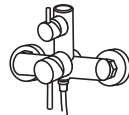
### Tools and material required



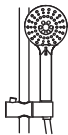
Allen key



Shower column  
+ Rain shower



Faucet



Shower hose + Hand shower  
Shower holder with connector



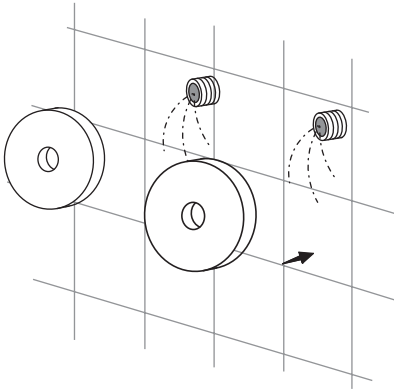
Shower column holder



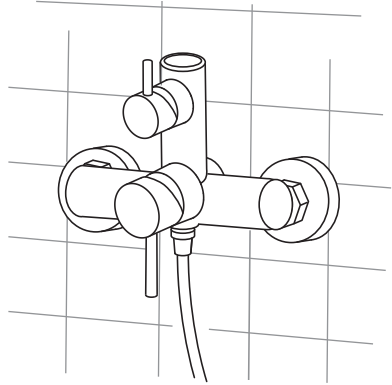
Screw set  
(not included)

## Installation

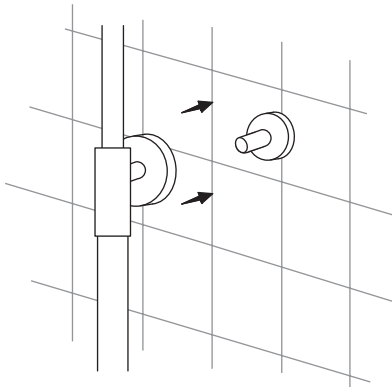
- 1 Tapes around the wall water pipes, then fasten tight with spanner. After, flush any contaminants in supply lines for 30-60 seconds until water is clean. Screw up the wall flange to the Z pipes.



- 2 Put the rubber o-rings to the faucet screw nuts, and fasten tight to the wall Z pipes with spanner.



- 3 Fix the shower column accessories to the faucet to mark the position of the shower column holder, then take out the shower column accessories.



- 4 Identify the height and mark wall position for screws. Fix the shower column holder to wall, then cover by wall flange. Fix the shower column accessories.

