

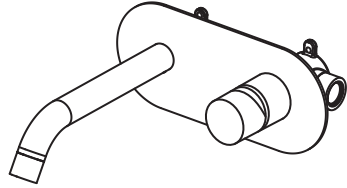
## Wall-mounted basin mixer with cover

# bathco

info@bathcogroup.com

# Milos

Ref. 18081 - 18085 - 18089 - 18093



## INSTALLATION INSTRUCTIONS

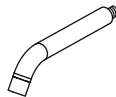
Before proceeding with installation, please read these instructions carefully to familiarise yourself with the required tools, materials and installation steps. Please leave these instructions for the consumer after installation.

Prior to installation, inspect the basin mixer to ensure that no damage has occurred in transit. If damage has occurred, or a visible defect exists, do not proceed with installation, and advise your supplier immediately.

## Tools and material required



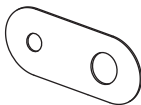
Allen key



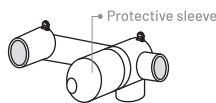
Spout



Handle



Face plate



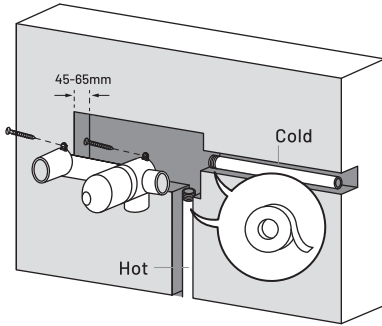
Faucet concealed  
body



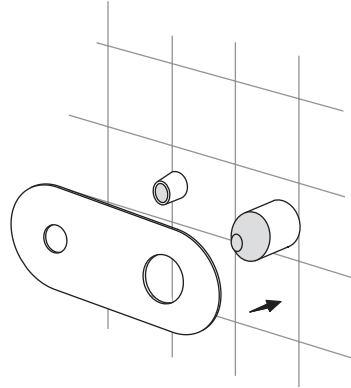
Screw set  
(not included)

## Installation

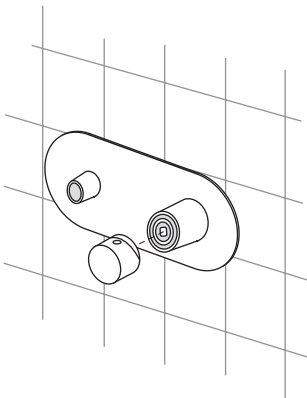
- 1 Before installation, dig a proper wall position with depth 46-55 mm, and flush the inside and outside dirt. Fix the concealed body, then fasten the screws. Turn on the valves to check if any leakage.



- 2 Fix the face plate to the concealed body. Take off the pipe connector from spout with tape. Then, fasten to the body by 8 mm allen key.



- 3 Take off the protective sleeve, fix handle to the faucet concealed body by screws set.



- 4 Fix the spout to the faucet concealed body with allen key.

