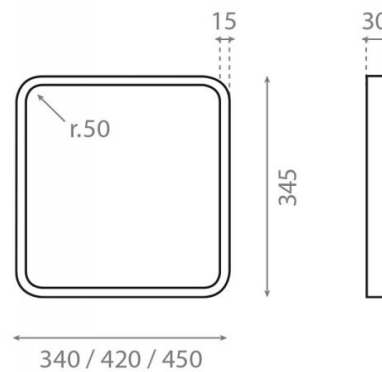


Stainless steel support matching

Ref. H2003

420x345 mm



Features

Stainless steel support matching
420x345 mm Valid for shelves H2502,
H2503, H2505

