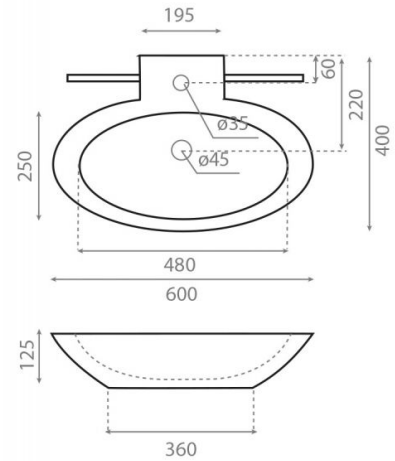


# TT2

## Ref. 4010

600x400x125 mm



### Features

Wall-mounting possibility. With overflow. Net weight 11kg, gross weight 12kg. Units per pallet: 44.

